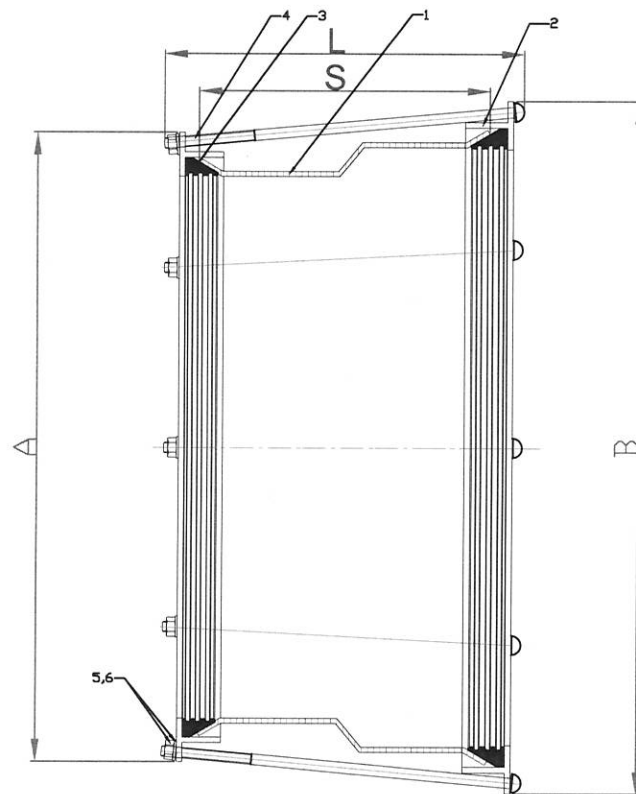


Fig:FC20



Small End		Large End		Diameter			Sleeve Length	Bolts
Min	Max	Min	Max	A	B	L	S	No. -Dia x Length
374	391	436	462	515	585	350	250	8-M14 x 350

No.	Parts Name	Material
1	Carbon Sleeve	Carbon Steel FBE RAL5017
2	End Ring	GGG50 FBE RAL5017
3	Rubber Seal	EPDM EN 681-1
4	Bolt	AISI316
5	Washer	AISI316
6	Nut	AISI316 with Teflon Coated
7	Cap	Plastic

DRAWER	TOLERANCE	MATERIAL:	UNIT:mm
CHECK	SCALE	Dedicated Coupling	
APPROVAL	DATE		

Hiwa

REV 201501A

This document is the property of Huihua Valve Industry Co.
Distribution of this document without the written consent of the owner is strictly forbidden
Failure to comply will incur a liability for damages

<http://www.hiwaflow.com> Website
sales@hiwaflow.com Email

86-533-607217 Phone
86-533-607233 FAX

Huihua Valve Industry co.
No.36 MinAn Road New Hi-Tech Industry
Zone Zibo Shandong China 255088 p.c