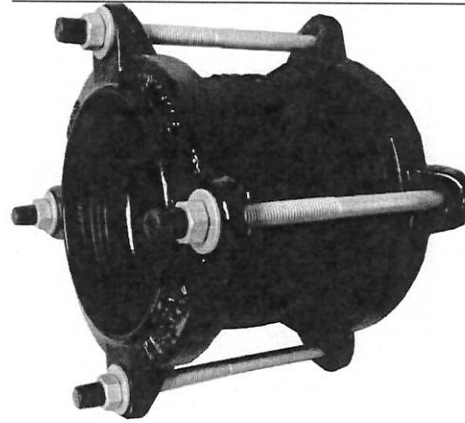


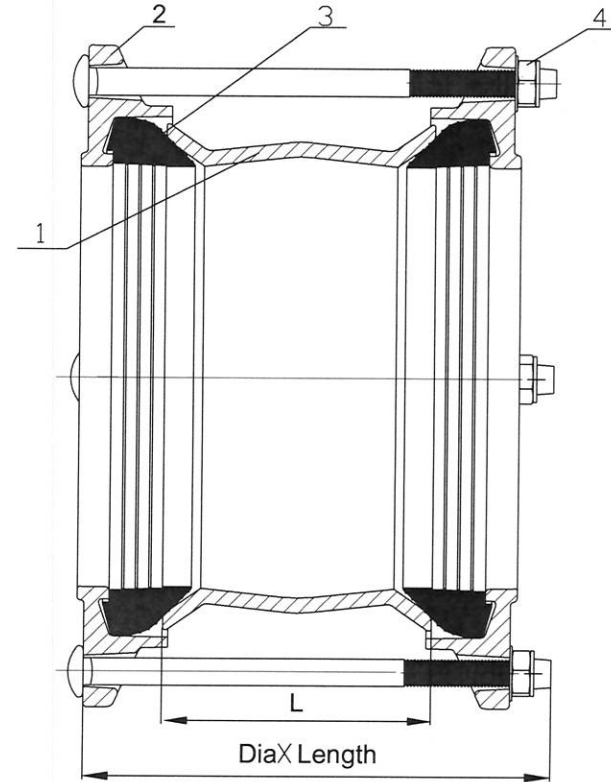
Material Specification:

No.	Parts Name	Material
1	Centre Sleeve	Ductile Iron FBE Blue
2	End Ring	Ductile Iron FBE Blue
3	Gasket	EN 681-1 EPDM
4	Bolts, Nuts & Washer	AISI 316



Dimensions(mm)

Nominal Size	Sealing Range (mm)	L	Bolts	
			Dia x Length	QITY
DN50	58-74	100	M12 x 190	2
DN65	68-84	100	M12 x 190	4
DN80	84-105	100	M12 x 190	4
DN100	99-118	100	M12 x 190	4
DN100	109-133	100	M12 x 190	4
DN125	133-157	100	M12 x 190	4
DN150	157-182	115	M12 x 210	4
DN150	177-201	115	M12 x 210	4
DN200	194-215	115	M12 x 210	4
DN200	218-242	140	M12 x 230	6
DN225	242-268	140	M12 x 230	6
DN250	266-291	160	M12 x 250	6
DN250	280-305	160	M12 x 250	6
DN300	302-327	160	M12 x 250	6
DN300	315-349	250	M14 x 350	6
DN300	324-350	160	M14 x 260	6
DN350	351-378	160	M14 x 270	8
DN350	386-410	160	M14 x 270	8
DN400	410-436	160	M14 x 270	8
DN400	436-462	160	M14 x 270	8



DRAWER	TOLERANCE	MATERIAL:	UNIT:mm
CHECK	SCALE	FC10-A	
APPROVAL	DATE 05/19/15		
hiwa		Universal Coupling	
		RFV	201505A

This document is the property of Huihua Valve Industry Co. Distribution of this document without the written consent of the owner is strictly forbidden. Failure to comply will incur a liability for damages.

http://www.hiwaflow.com Website
 sales@hiwaflow.com Email

86 - 533 - 6077217 Phone
 86 - 533 - 6077233 FAX

Huihua Valve Industry co.
 No.36 MinAn Road New Hi-Tech Industry
 Zone Zibo Shandong China 255088 p.c