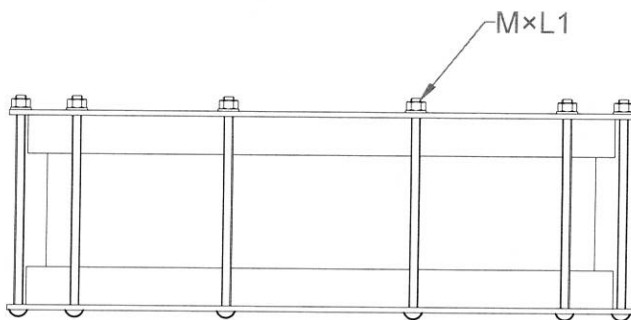
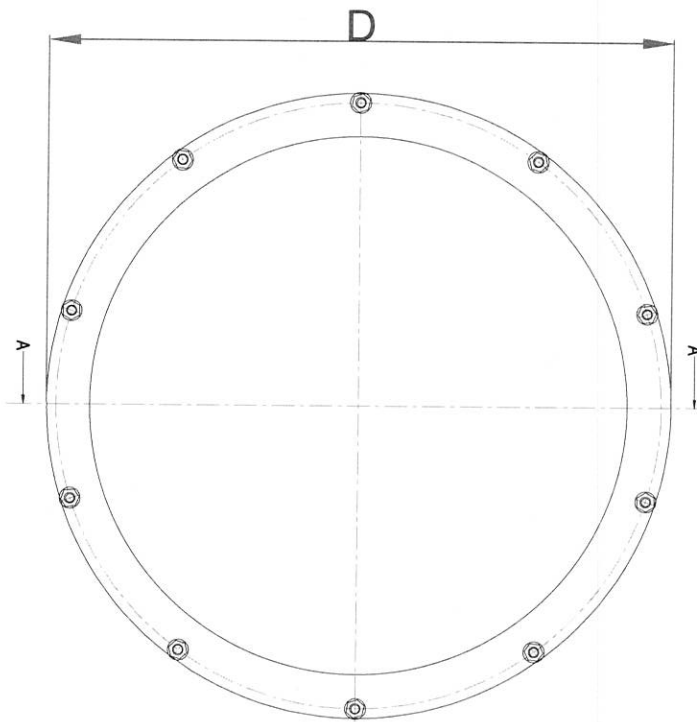
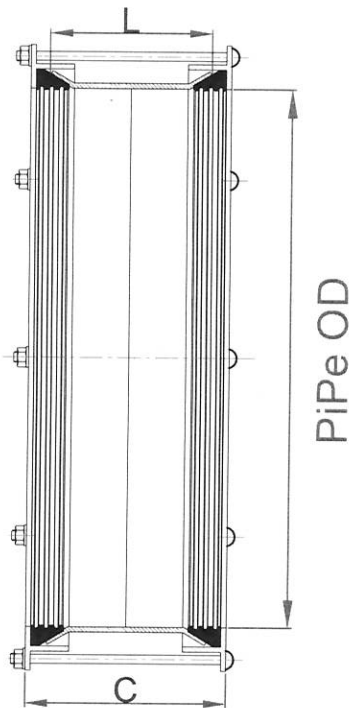


Fig:FC30



No.	Parts Name	Material
1	Centre Sleeve	Rolled Steel
2	End Ring	Ductile Iron
3	Gasket	EN 681-1 EPDM
4	Bolts, Nuts & Washer	AISI 316

Size	Pipe O.D	Diameter (mm)	Overall Length (mm)	No. Bolts	Bolt Dia×Length (mm)
		D	L		
DN1400	1422	1580	250	18	M16*350

DRAWER	TOLERANCE	MATERIAL:	UNIT:mm
CHECK	SCALE	Dedicated Coupling	
APPROVAL	DATE 11/05/15		

hiwa

DN1400

REV 201505A

This document is the property of Huihua Valve Industry Co.
Distribution of this document without the written consent of the owner is strictly forbidden
Failure to comply will incur a liability for damages

<http://www.hwvalve.com> Website
sales@hwvalve.com Email

86 - 533 - 6077217 Phone
86 - 533 - 6077233 FAX

Huihua Valve Industry Co.
No.36 Minxin Road New Hi-Tech Industry
Zone Zibo Shandong China 255088 p.c