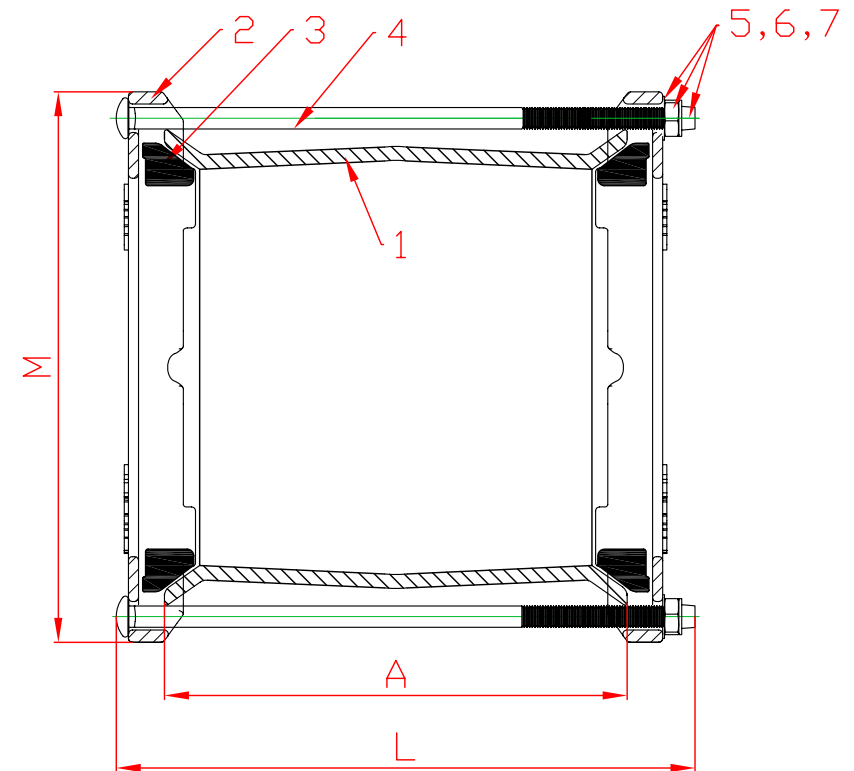


FIG.FC10

Material Specification:

No.	Parts Name	Material
1	Carbon Sleeve	Carbon Steel FBE RAL5017
2	End Ring	GGG50 FBE RAL5017
3	Rubber Seal	EPDM EN 681-1
4	Bolt	AISI316
5	Washer	AISI316
6	Nut	AISI316 with Teflon Coated
7	Cap	Plastic



Dimensions(mm)

Nominal Size (mm)	Size Range (mm)	M	A	Bolts No.-Dia*Length		Weight
				Qty	L	
DN300	315-349	463	250	6	M14*350	26.8
DN375	398-429	561	250	8	M14*350	33.8
DN400	398-429	561	250	8	M14*350	33.8
DN450	436-462	576	250	8	M14*350	34.5
DN500	498-516	639	250	12	M12*350	42.6
DN500	514-538	660	250	16	M12*350	44
DN500	527-544	667	250	10	M14*350	45
DN500	556-575	699	250	16	M12*350	50.9
DN600	595-625	756	250	12	M14*350	63.9
DN600	628-655	786	250	12	M14*350	60.7
DN600	648-669	792	250	10	M14*350	56.6

JMP Products Ltd Ph027-6723699 Hiwa New Zealand Agent.

DRAWER		TOLERANCE		MATERIAL:	UNIT:mm
CHECK		SCALE		FC10	
APPROVAL		DATE	10/06/14		
				Universal Coupling	
				REV	201410A