

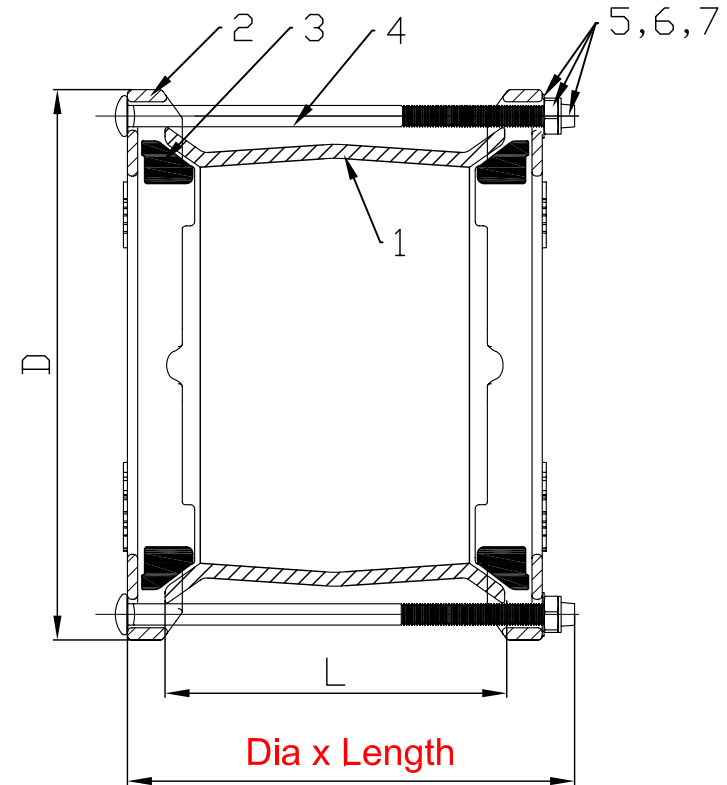
FIG.FC10

Material Specification:

| No. | Parts Name | Material |
|-----|---------------|---------------------------|
| 1 | Carbon Sleeve | Carbon Steel |
| 2 | End Ring | GGG50 |
| 3 | Rubber Seal | EPDM |
| 4 | Bolt | Zinc Plated Steel / SS316 |
| 5 | Washer | Zinc Plated Steel / SS316 |
| 6 | Nut | Zinc Plated Steel / SS316 |
| 7 | Cap | Plastic |

Dimensions(mm)

| Size Range | Diameter D | Sleeve Length x Thickness | Bolts | |
|------------|------------|---------------------------|--------------|-----|
| | | | Dia x Length | Qty |
| 315-349 | 465 | 250.0 x 6.0 | M14*350 | 6 |
| 351-378 | 490 | 250.0 x 5.0 | M14*350 | 8 |
| 374-391 | 490 | 250.0 x 5.0 | M14*350 | 8 |
| 398-429 | 565 | 250.0 x 5.0 | M14*350 | 8 |
| 436-462 | 550 | 250.0 x 5.0 | M14*350 | 8 |
| 476-493 | 610 | 250.0 x 6.0 | M14*350 | 10 |
| 498-516 | 640 | 250.0 x 6.0 | M14*350 | 12 |
| 527-544 | 670 | 250.0 x 6.0 | M14*350 | 10 |
| 598-625 | 765 | 250.0 x 6.0 | M14*350 | 12 |
| 556-575 | 700 | 250.0 x 6.0 | M12*350 | 16 |
| 630-647 | 770 | 250.0 x 6.0 | M14*350 | 10 |
| 628-655 | 790 | 250.0 x 6.0 | M14*350 | 12 |
| 648-669 | 795 | 250.0 x 6.0 | M14*350 | 10 |



| | | | | | |
|-------------|--|-----------|----------|--------------------|---------|
| DRAWER | | TOLERANCE | | MATERIAL: | UNIT:mm |
| CHECK | | SCALE | | FC10(DN300-DN600) | |
| APPROVAL | | DATE | 11/07/14 | | |
| hiwa | | | | Universal Coupling | |
| | | | | REV | 201411A |

This document is the property of Huihua Valve Industry Co. Distribution of this document without the written consent of the owner is strictly forbidden. Failure to comply will incur a liability for damages.

Email: sales@hiwavalve.com

86 - 533 - 607217 Phone
86 - 533 - 607233 FAX

Huihua Valve Industry co.
No.36 MinAn Road New Hi-Tech Industry Zone Zibo Shandong China 255088 p.c