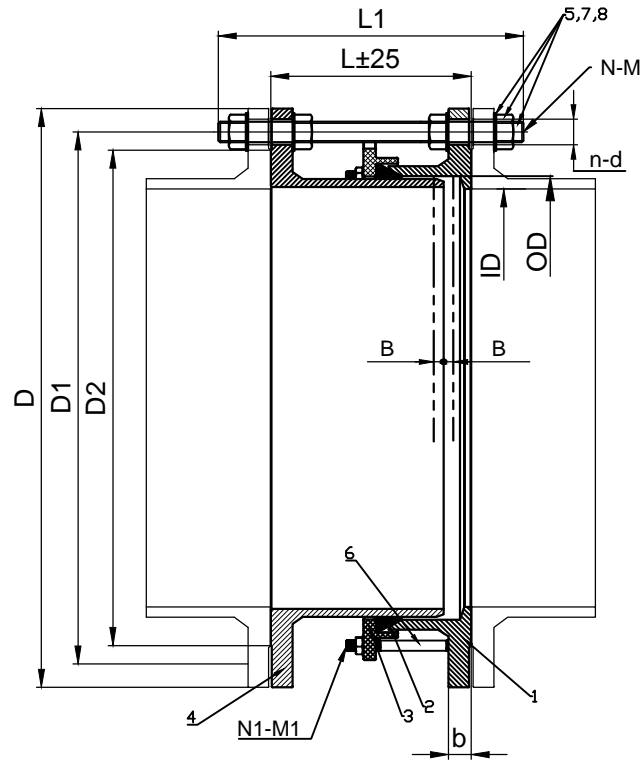
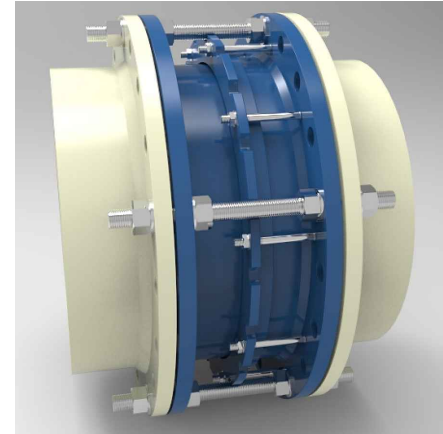


Fig:FD20




Material Specification:

Item No.	Parts Name	Material
1	Short Flanged Body	Ductile Iron
2	Seal Ring	EN 681-1 EPDM
3	End Ring	Ductile Iron
4	Flange Spigot	Ductile Iron
5	Stud	Hot Dip Steel/304/316
6	Stud for M12&M14	SS304/316
	Stud for M16	Hot Dip Steel/SS304/316
7	Washer	SS201/304/316
8	Nut	Hot Dip Steel/SS304/316



Flange dimensions according to AS4087 PN16

Nom	ID	OD	Length(mm)		Adjustment(mm)	AS2129 Table D / AS 4087 PN16					Bolt/Nut			
			L	L1	B	D	D1	D2	n-d	b	M	N	M1	N1
DN400	408	429	250	430	±25	580	521	489	12-27	28	M24*430	4	M16*170	6
DN450	456	480	265	450	±30	640	584	552	12-27	30	M24*450	4	M16*170	6
DN500	508	532	275	460	±30	705	641	609	16-27	32	M24*460	4	M16*170	8
DN600	613	635	290	500	±30	825	756	720	16-31	36	M27*500	4	M16*170	8
DN700	711	738	295	510	±30	910	845	806	20-31	40	M27*510	5	M16*180	10
DN750	788	813	320	530	±30	995	927	888	20-34	41	M30*530	5	M16*180	10
DN800	817	842	320	560	±30	1060	984	942	20-37	43	M33*560	5	M16*180	10
DN900	911	945	320	580	±30	1175	1092	1050	24-37	47	M33*580	6	M16*180	12
DN1000	1012	1048	325	600	±30	1255	1175	1133	24-37	50	M33*600	6	M16*180	12
DN1200	1216	1255	340	640	±30	1490	1410	1368	32-37	76	M33*640	8	M16*180	16

DRAWER		TOLERANCE		MATERIAL:	UNIT:mm
CHECK		SCALE		Dismantling Joint	
APPROVAL		DATE	09/15/15		
				DN400-DN1200	
				REV	201509A

This document is the property of Huihua Valve Industry Co.
 Distribution of this document without the written consent of the owner is strictly forbidden
 Failure to comply will incur a liability for damages

Website: <http://www.hiwalow.com>
 Email: sales@hiwalow.com

Phone: 86 - 533 - 6077217
 FAX: 86 - 533 - 6077233

Huihua Valve Industry Co.
 No.36 MinAn Road New Hi-Tech Industry
 Zone Zibo, Shandong, China. 255088 p.c