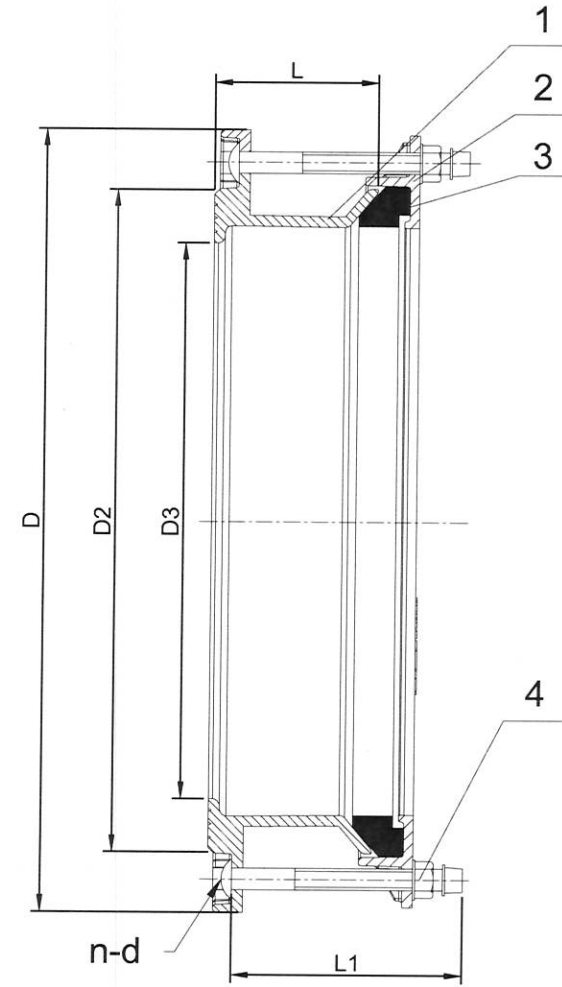
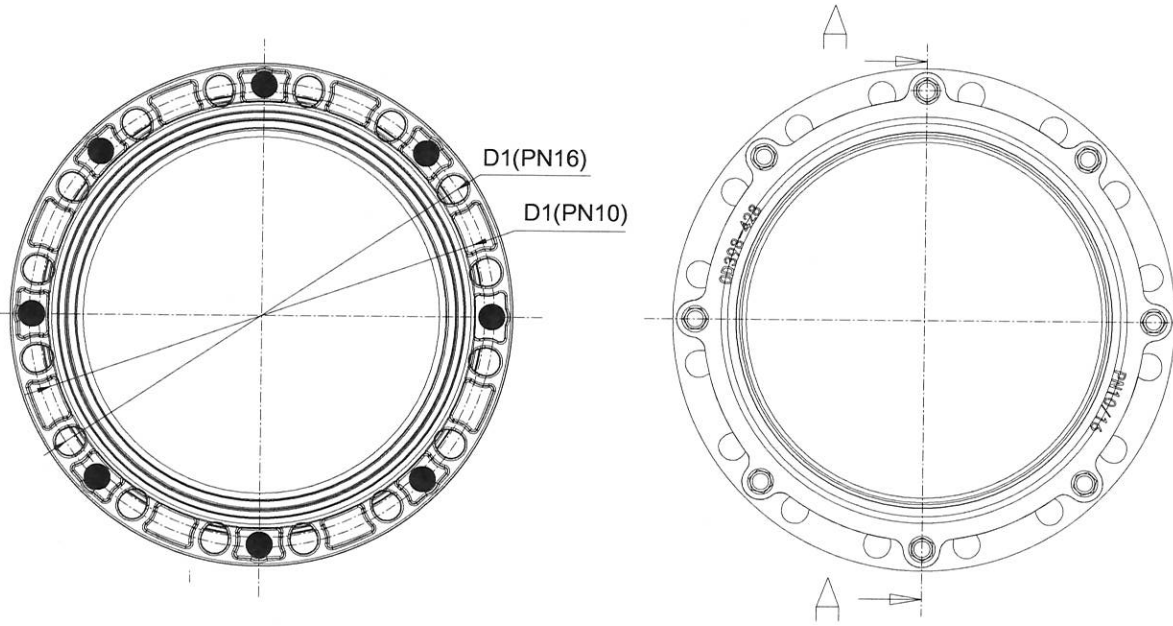


Material Specification:

No.	Parts Name	Material
1	Adaptor Body	Ductile Iron FBE Blue
2	End Ring	Ductile Iron FBE Blue
3	Gasket	EN 681-1 EPDM
4	Bolts, Nuts & Washer	AISI 316

Fig:FA10-A



Dimensions(mm):

Size Range	D	D1	D2	D3	n-d	B	Bolts	
							Dia x Length	Qty
248-262	370	324	300	240	8-18	90	M14*140	4
272-289	405	356	328	275	8-22	90	M12*140	8
315-349	455	406	378	329	12-22	100	M14*150	6
398-429	550	495	465	385	12-26	120	M12*170	12
398-429	580	521	489	410	12-26	120	M12*170	12
498-516	640	584	552	460	12-26	120	M12*170	12

DRAWER		TOLERANCE		MATERIAL:	UNIT:mm
CHECK		SCALE		Universal Flange Adaptor	
APPROVAL		DATE	05/19/15		
Hiwa			REV	201505A	

This document is the property of Huihua Valve Industry Co.
 Distribution of this document without the written consent of the owner is strictly forbidden
 Failure to comply will incur a liability for damages

http://www.hiwaflow.com Website
 sales@hiwaflow.com Email
 86 - 533 - 6077217 Phone
 86 - 533 - 6077233 FAX

Huihua Valve Industry Co.
 No.36 MinAn Road New Hi-Tech Industry
 Zone Zibo Shandong China 255088 p.c