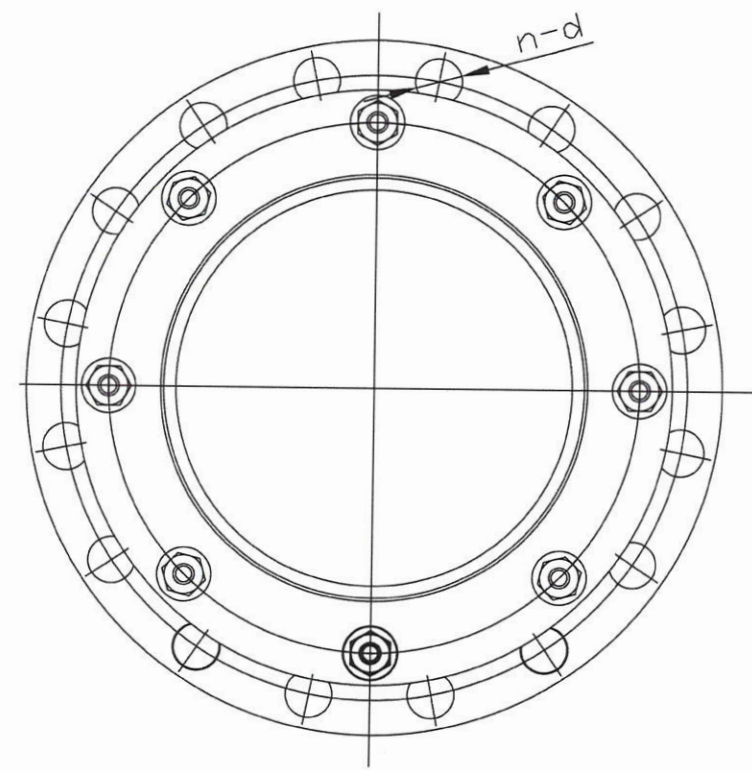
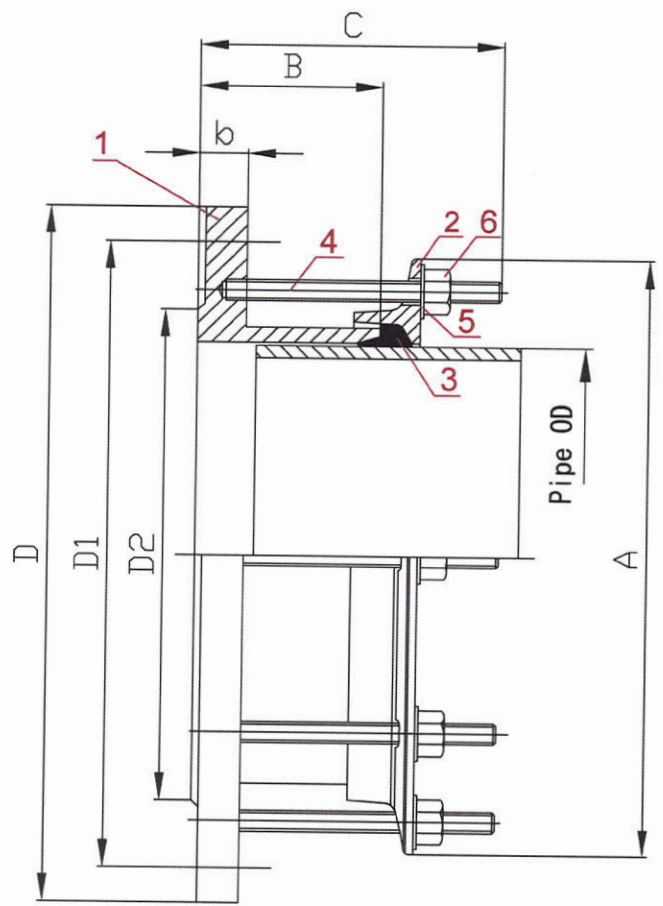


Fig:FA30



No.	Parts Name	Material
1	Body	Carbon Steel
2	End Ring	GGG50
3	Sealing Ring	EPDM EN-681-1
4	Bolt	AISI 316
5	Washer	AISI 316
6	Nut	AISI 316

Size	PiPe OD	D	D1	D2	b	n-d	B	C	A	Bolts No.	Bolt Size
DN750	805-820	995	927	888	32.5	20-33	115	190	955	10	M16*180

DRAWER		TOLERANCE		MATERIAL:	UNIT:mm
CHECK		SCALE		Flange Adaptor	DN750
APPROVAL		DATE	05/07/15		
				REV	201505A

This document is the property of Huihua Valve Industry Co. Distribution of this document without the written consent of the owner is strictly forbidden. Failure to comply will incur a liability for damages.

http://www.hiwaflow.com Website sales@hiwaflow.com Email

86 - 533 - 6077217 Phone 86 - 533 - 6077233 FAX

Huihua Valve Industry co. No.36 MinAn Road New Hi-Tech Industry Zone Zibo Shandong China 255088 p.c