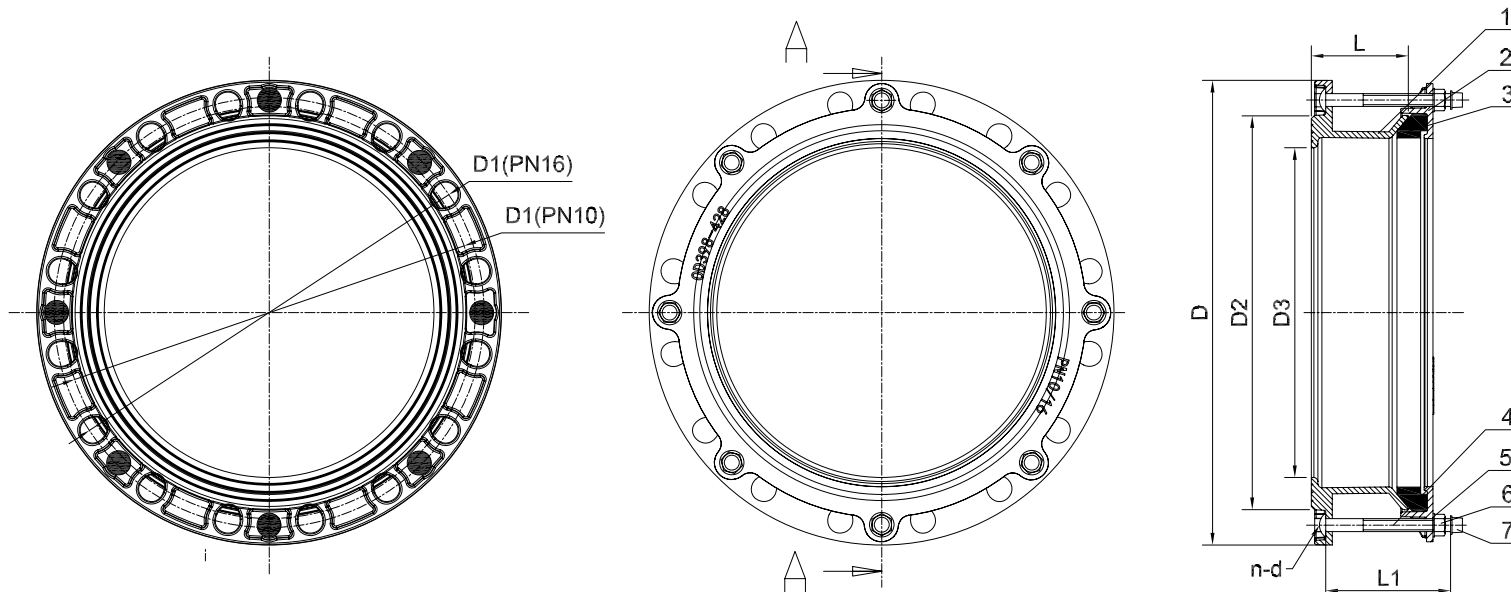


Material Specification:

| No. | Parts Name | Material |
|-----|-------------|-----------------------|
| 1 | Body | Ductile iron |
| 2 | End Ring | Ductile iron |
| 3 | Rubber seal | Rubber |
| 4 | Bolt | Dacromet Coated Steel |
| 5 | Washer | Dacromet Coated Steel |
| 6 | Nut | Dacromet Coated Steel |
| 7 | Cap | Plastic |



Dimensions(mm):

| Nominal Size | Size Range | D | D1 | D2 | D3 | n-d | L | Bolts | |
|--------------|------------|-----|-----|-----|-----|-------|-----|--------------|-----|
| | | | | | | | | Dia x Length | Qty |
| DN225 | 248-262 | 370 | 324 | 300 | 240 | 8-19 | 90 | M14*140 | 4 |
| DN300 | 315-349 | 455 | 406 | 378 | 329 | 12-23 | 100 | M14*150 | 6 |
| DN375 | 398-429 | 550 | 495 | 465 | 385 | 12-27 | 120 | M12*170 | 12 |
| DN400 | 398-429 | 580 | 521 | 489 | 410 | 12-27 | 120 | M12*170 | 12 |
| DN450 | 498-516 | 640 | 584 | 552 | 460 | 12-27 | 120 | M12*170 | 12 |

| | | | |
|----------|-----------|-----------|----------------|
| DRAWER | TOLERANCE | MATERIAL: | UNIT:mm |
| CHECK | SCALE | FA10-A | Flange Adaptor |
| APPROVAL | DATE | | |
| | | REV | 201501A |

This document is the property of Huihua Valve Industry Co.
Distribution of this document without the written consent of the owner is strictly forbidden
Failure to comply will incur a liability for damages

http://www.hiwaflow.com Website
sales@hiwaflow.com Email

86 - 533 - 6077217 Phone
86 - 533 - 6077233 FAX

Huihua Valve Industry co.
No.36 MinAn Road New Hi-Tech Industry
Zone Zibo Shandong China 255088 p.c