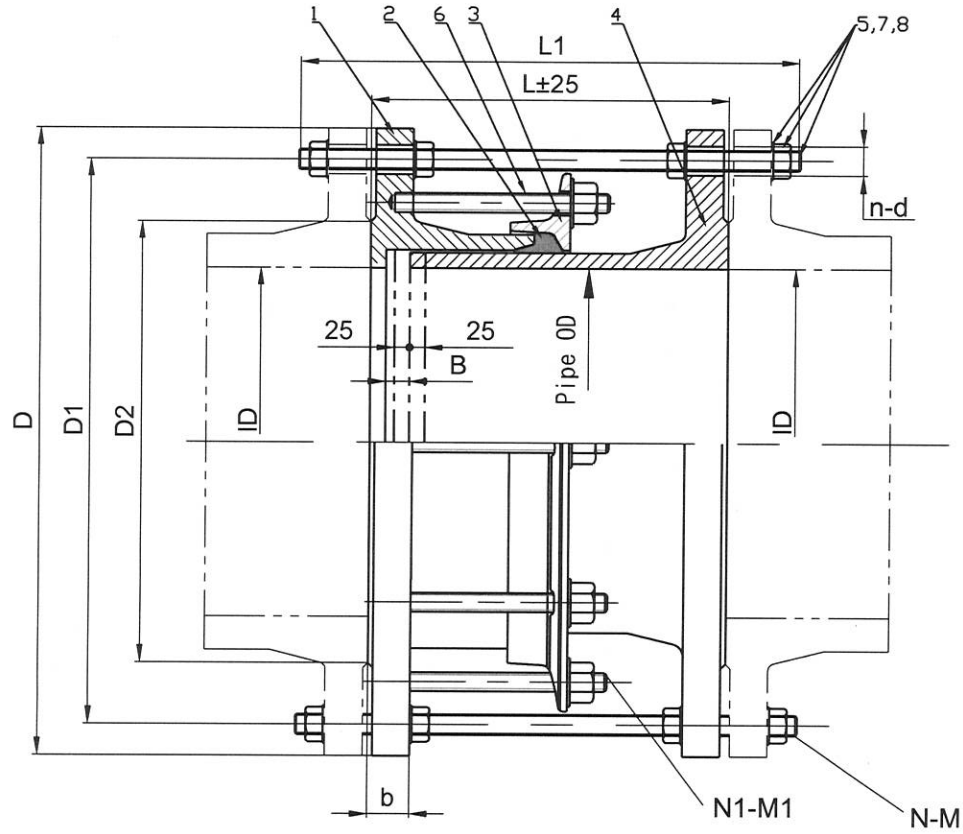


Fig:FD20



Material Specification:

| Item No. | Parts Name         | Material      |
|----------|--------------------|---------------|
| 1        | Short Flanged Body | Ductile Iron  |
| 2        | Seal Ring          | EN 681-1 EPDM |
| 3        | End Ring           | Ductile Iron  |
| 4        | Flange Spigot      | Ductile Iron  |
| 5        | Stud               | Hot Dip Steel |
| 6        | Stud for M12&M14   | SS304         |
|          | Stud for M16       | Hot Dip Steel |
| 7        | Washer             | Hot Dip Steel |
| 8        | Nut                | Hot Dip Steel |

Flange dimensions according to AS4087 PN16

| Size   | ID    | OD   | L   | L1  | D    | D1   | D2   | n-d   | b    | M*L1    | N | M1  | N1 |
|--------|-------|------|-----|-----|------|------|------|-------|------|---------|---|-----|----|
| DN100  | 101   | 118  | 195 | 340 | 215  | 178  | 154  | 4-19  | 19   | M16*340 | 4 | M12 | 4  |
| DN150  | 154   | 170  | 200 | 350 | 280  | 235  | 211  | 8-19  | 19   | M16*350 | 4 | M12 | 4  |
| DN200  | 206.5 | 222  | 210 | 350 | 335  | 292  | 268  | 8-19  | 20   | M16*350 | 4 | M12 | 4  |
| DN250  | 258   | 274  | 220 | 380 | 405  | 356  | 328  | 8-23  | 22   | M20*380 | 4 | M14 | 4  |
| DN300  | 307   | 326  | 230 | 400 | 455  | 406  | 378  | 12-23 | 24.5 | M20*400 | 4 | M12 | 6  |
| DN350  | 359   | 378  | 240 | 410 | 525  | 470  | 438  | 12-27 | 26.5 | M24*410 | 4 | M16 | 6  |
| DN375  | 382   | 402  | 250 | 430 | 550  | 495  | 463  | 12-27 | 28   | M24*430 | 4 | M16 | 6  |
| DN400  | 408   | 429  | 250 | 430 | 580  | 521  | 489  | 12-27 | 28   | M24*430 | 4 | M16 | 6  |
| DN450  | 456   | 480  | 265 | 450 | 640  | 584  | 552  | 12-27 | 30   | M24*450 | 4 | M16 | 6  |
| DN500  | 508   | 532  | 275 | 460 | 705  | 641  | 609  | 16-27 | 32   | M24*460 | 4 | M16 | 8  |
| DN600  | 613.4 | 635  | 290 | 500 | 825  | 756  | 720  | 16-31 | 36   | M27*500 | 4 | M16 | 8  |
| DN700  | 711   | 738  | 295 | 510 | 910  | 845  | 806  | 20-31 | 39.5 | M27*510 | 5 | M16 | 10 |
| DN900  | 911   | 945  | 320 | 580 | 1175 | 1092 | 1050 | 24-37 | 47   | M33*580 | 6 | M16 | 12 |
| DN1200 | 1216  | 1255 | 340 | 640 | 1490 | 1410 | 1368 | 32-37 | 57   | M33*640 | 8 | M16 | 16 |

|             |           |                   |          |
|-------------|-----------|-------------------|----------|
| DRAWER      | TOLERANCE | MATERIAL:         | UNIT:mm  |
| CHECK       | SCALE     | Dismantling Joint |          |
| APPROVAL    | DATE      |                   | 08/05/15 |
| <b>hiwa</b> |           | REV               | 201505A  |

This document is the property of Hiwua Valve Industry Co.  
 Distribution of this document without the written consent of the owner is strictly forbidden.  
 Failure to comply will incur a liability for damages.

<http://www.hiwavalve.com> Website  
[sales@hiwavalve.com](mailto:sales@hiwavalve.com) Email

86 - 533 - 6077217 Phone  
 86 - 533 - 6077233 FAX

Hiwua Valve Industry Co.  
 No.36 MinAn Road New Hi-Tech Industry  
 Zone Zibo Shandong China 255088 p.c